

**HOFMANN  
ENGINEERING**

## SELF ALIGNING DRIVES

*Since 1969 Hofmann Engineering has provided specialist engineering services to Australia's industry leaders.*

*Quality Assurance a certification by Lloyds complements our total quality culture.*

*Our commitment to continuous quality improvement touches every aspect of our products, services and customer support.*

### HOFMANN ENGINEERING PTY LTD

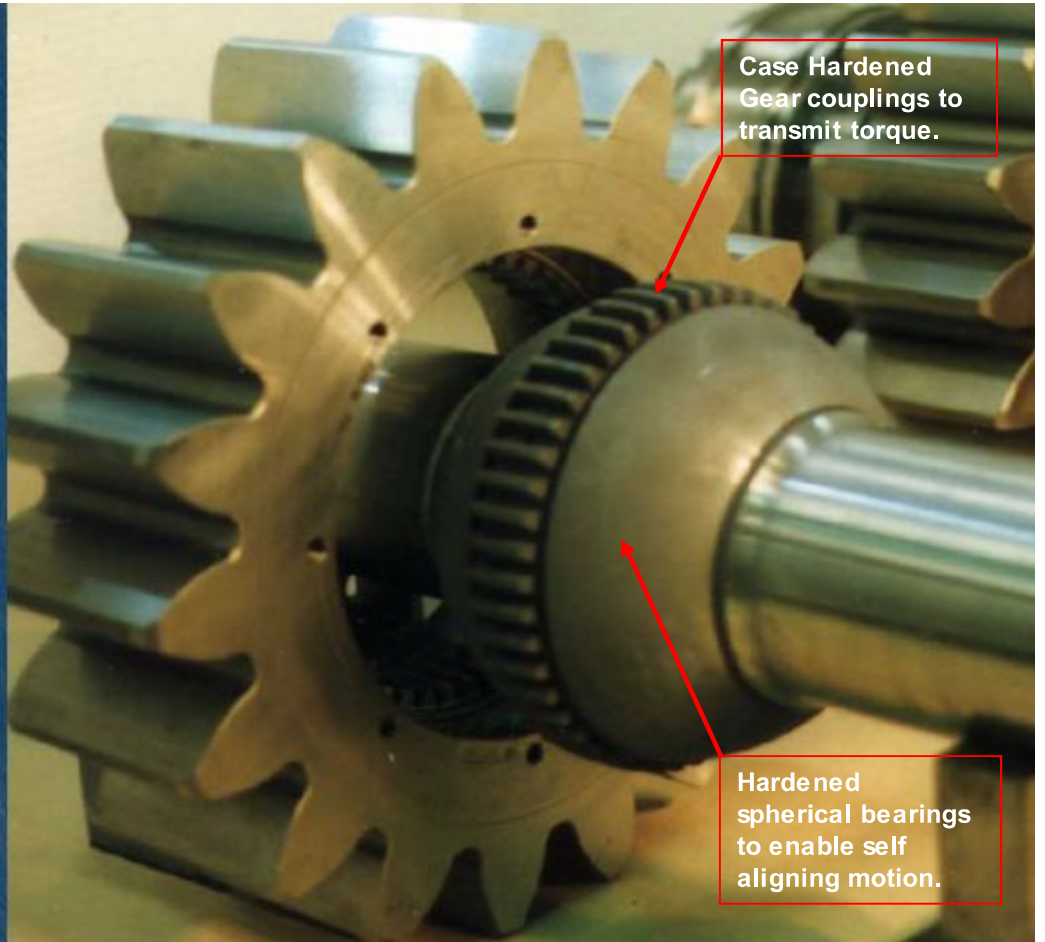
3 ALICE STREET,  
BASSENDEAN, PERTH,  
WESTERN AUSTRALIA 6054

Telephone: +61 8 9279 5522

Facsimile: +61 8 9279 9386

Net: [www.hofmannengineering.com](http://www.hofmannengineering.com)

Email: [mail@hofmannengineering.com](mailto:mail@hofmannengineering.com)



Case Hardened  
Gear couplings to  
transmit torque.

Hardened  
spherical bearings  
to enable self  
aligning motion.

**HOFMANN SELF ALIGNING DRIVES** always maintain 100% contact automatically through all loading stages regardless of:

- Mating gear axial run out.
- Foundation movement and temperature expansion changes.
- Deflections and load variations.

### APPLICATIONS

- Mills, Kilns, Dryers and Car Dumpers.
- Dragline, Shovels, Winders and Slewing Drives.
- Any gear drive where self aligning is required to reduce maintenance.



### DIRECT MESH GEARBOX INCORPORATING TWIN TORQUE SPLITTING SELF-ALIGNING PINIONS TO 10,000KW

### MILL DRIVES TO 20,000KW

- Using 2 off 10 000kW drives.
- 4 off self aligning pinions drive the girth gear.
- Mechanical drive options to 34MW.

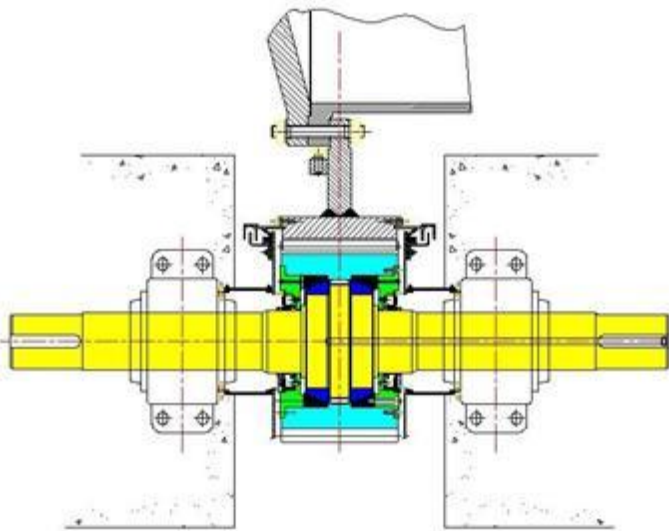




### 1) SAP - Self Aligning Pinions

Conventional Self Aligning Pinion with plummer block bearings.

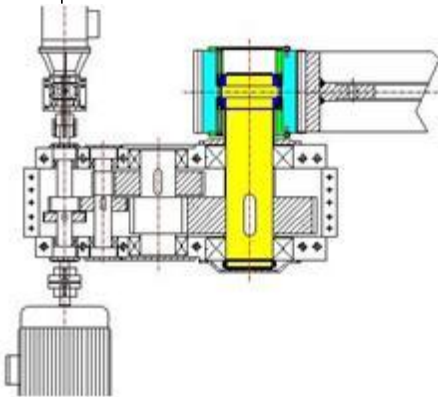
- Retrofit to existing mills and drives.
- Pinion shaft is reversible.



### 2) SAOP - Self Aligning Overhung Pinion Drive

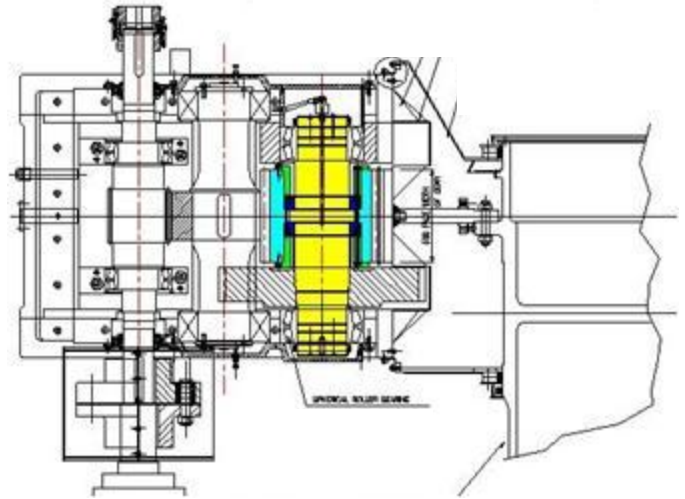
Self-aligning overhung pinion mounts directly to output shaft main gearbox.

- Lowest foundation and installation costs.
- No low speed coupling or plummer bearings.
- Split lube system between gearbox and open gearing is now possible.



### 3) SATP - Self Aligning Twin Pinion Drive

- 4 standard sizes 18Mn, 22Mn, 25.4Mn & 30Mn that covers the complete range to 10,000KW.
- Single motor runs two self aligning, torque splitting pinions direct meshed with the girth gear.
- Reduced foundation, installation and running costs.
- Oil re-circulating system for gearbox and girth gear.



### 4) SASP - Self Aligning Single Pinion Drive

Self-aligning pinion mounts directly to the output shaft and is integral with the main gearbox.

- Reduced foundation and installation costs.
- No low speed coupling or plummer bearings.
- Split lube system between gearbox and open gearing is now possible.

